

ATW SERIES



3rd Party Calibrated
to UKAS Standards

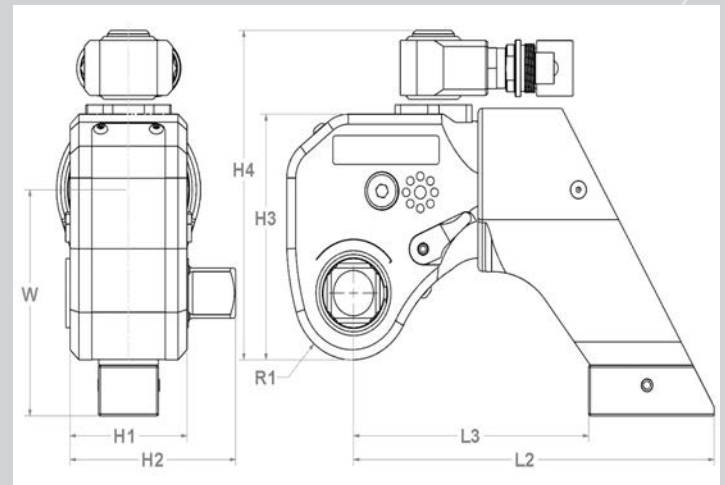
Square Drive Hydraulic Torque Wrench



- Easy replaceable square and hexagon drive adaptors
- Body shroud engraved with torque pressure chart
- Suitable for continuous operation at maximum pressure
- Heavy duty aluminum-titanium composite light body
- 360° adjustable reaction arm with safety lock feature

- Working pressure 10,000 psi max.
- Designed to tighten and loosen fasteners requiring high torque
- Models from 81 ft-lbs up to 53,064 ft-lbs
- Constantly repeatable accuracy $\pm 3\%$
- 360°x185° uni-swivel quick release couplings

Type	Torque (ft.lbs)		Square Drive (lbs)	Weight (lbs)	Dimension (inch)							
	Min	Max			L2	L3	H1	H2	H3	H4	W	R1
07ATW	81	~ 814	3/4"	3	4.37	4.47	1.65	2.60	2.99	4.25	2.83	0.88
1ATW	135	~ 1,357	3/4"	5	6.80	4.59	1.97	2.88	3.77	4.97	3.45	1.04
3ATW	318	~ 3,183	1"	11	8.16	5.34	2.63	3.72	4.88	6.46	4.49	1.31
5ATW	564	~ 5,639	1-1/2"	18	9.73	6.41	3.16	4.93	5.97	7.71	5.39	1.63
8ATW	775	~ 7,753	1-1/2"	24	10.74	7.54	3.54	5.28	6.57	8.54	6.05	1.82
10ATW	1,127	~ 11,272	1-1/2"	32	12.22	8.02	3.95	5.57	7.35	9.04	6.73	2.03
15ATW	1,570	~ 15,704	2-1/2"	42	12.66	8.52	4.12	5.80	8.16	10.03	7.02	2.95
20ATW	2,010	~ 20,101	2-1/2"	62	13.13	9.12	4.72	6.20	8.66	10.63	7.32	3.32
25ATW	2,548	~ 25,481	2-1/2"	77	14.72	10.79	5.39	7.87	9.72	11.69	8.60	4.83
35ATW	3,607	~ 36,076	2-1/2"	104	15.69	11.33	6.02	8.50	10.10	12.07	9.10	5.49
50ATW	5,306	~ 53,064	2-1/2"	192	16.75	12.31	7.30	9.78	11.46	13.43	10.2	6.20



Accessories: Whip Hose Connection & Direct Drive MHX (Male Hex)

