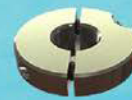
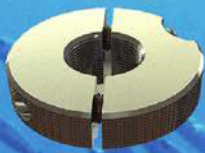


# RMS Subsea Hydraulic Tensioner



## Subsea Only Split Nut

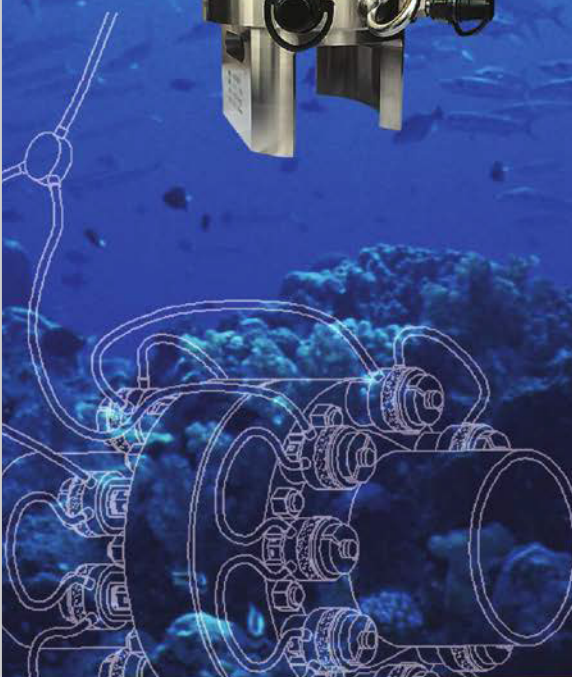
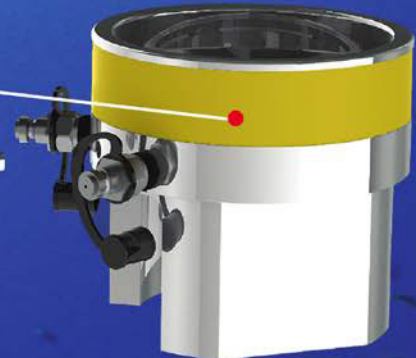
- Unique design
- Quick Installation
- Suit for long bolt,damage bolt
- Max piston stroke is 30mm
- Working Pressure:21750 psi (1500 bar)



Split Nut

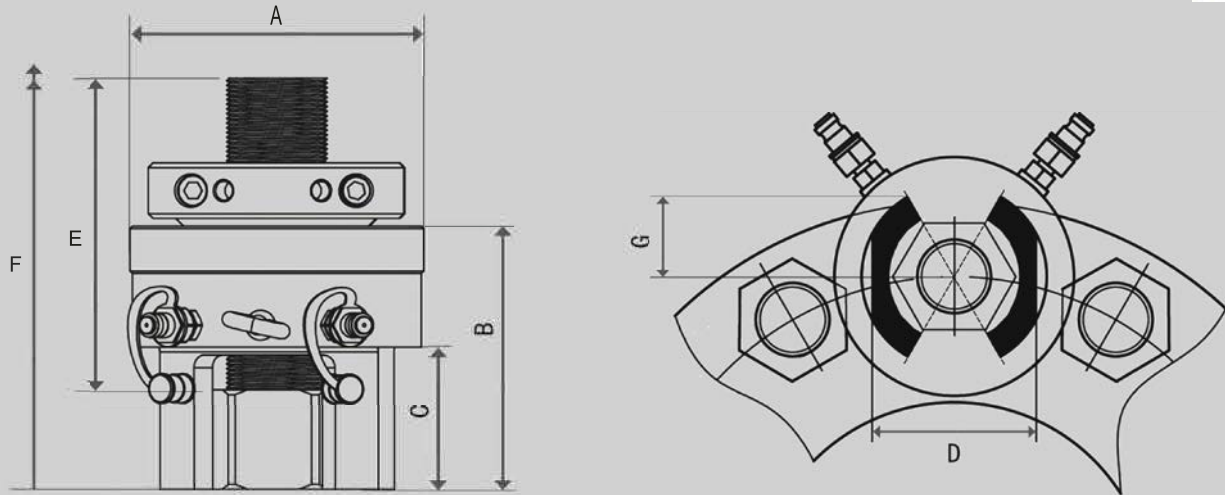
Piston

Cylinder



# RMS Subsea Hydraulic Tensioner

DNV-GL



Tensioner	Bolt DIA		Hyd mm <sup>2</sup>	Max Load KN	A mm	B mm	C mm	D mm	E mm	F mm	G mm
	in	mm									
RMS0	5/8"	M16	483	72.4	52.0	94.0	32.5	47.0	100.0	222.0	20.0
RMS1	3/4"	M20	1000	150.5	66.0	89.0	35.0	60.0	96.0	217.0	25.5
	7/8"	M22									
RMS2	1"	M24	1652	247.1	82.0	120.0	50.0	75.0	125.0	289.0	30.5
		M27									
		M30									
RMS3	1-1/4"	M33	2516	376.6	98.0	131.0	58.0	92.0	130.0	307.0	38.0
	1-3/8"	M36									
RMS4	1-1/2"	M39	3671	551.0	114.0	136.0	63.0	96.0	135.0	319.0	45.0
	1-5/8"	M42									
RMS5	1-3/4"	M45	5890	883.8	139.0	146.0	70.0	114.0	140.0	342.0	52.0
	1-7/8"	M48									
	2"	M52									
RMS6	2-1/4"	M56	8297	1243.5	164.0	161.0	82.0	138.0	150.0	367.0	63.0
		M60									
	2-1/2"	M64									
RMS7	2-3/4"	M70	12348	1851.3	192.0	178.0	95.0	157.0	165.0	400.0	76.0
	3"	M76									
RMS8		M80	15445	2316.6	216.0	193.0	109.0	190.0	165.0	412.0	85.0
	3-1/4"	M85									
	3-1/2"	M90									

