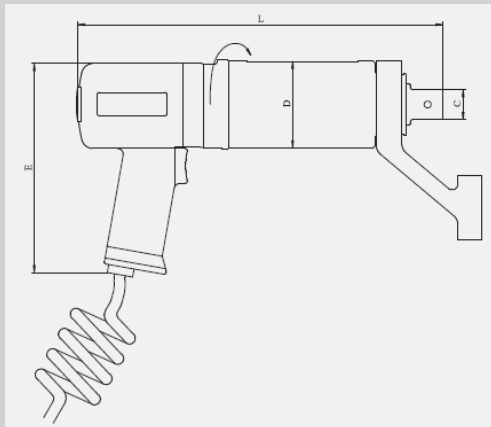


LPSW - single speed pneumatic Torque Gun



- LPSW-06-PSW-15, with ergonomic plastic handle, 6bar, 600L/min
- LPSW-21-PSW-100, with aluminum alloy handle, 7bar, 800L/min
- Powerful Torque Gun with a low noise output of less than 80dBA
- Free connecting power handle to gear box, so tool can be rotated 360°
- Has a single speed gearbox, so its light weight and small size makes it easy for the user to operate
- Very suitable for continuous working conditions eg. in production assembly or maintenance. Accuracy $\pm 5\%$, Consistency $\pm 3\%$



Description	Torque (Nm)	SQD size	D (mm)	L (mm)	E (mm)	Speed (rpm)	Weight (kg)
LPSW-06	75-650	3/4"	76	300	186	23.0	4.9
LPSW-10	120-1060	1"	76	300	186	13.0	5.0
LPSW-15	170-1500	1"	76	300	186	10.0	5.0
LPSW-21	320-2100	1"	88	310	255	14.0	7.5
LPSW-28	430-2800	1"	88	310	255	10.5	7.5
LPSW-39	610-3900	1-1/2"	96	350	255	7.5	9.8
LPSW-58	950-5800	1-1/2"	114	400	255	5.0	12.5
LPSW-100	1650-10000	1-1/2"	143	445	255	3.0	19.2